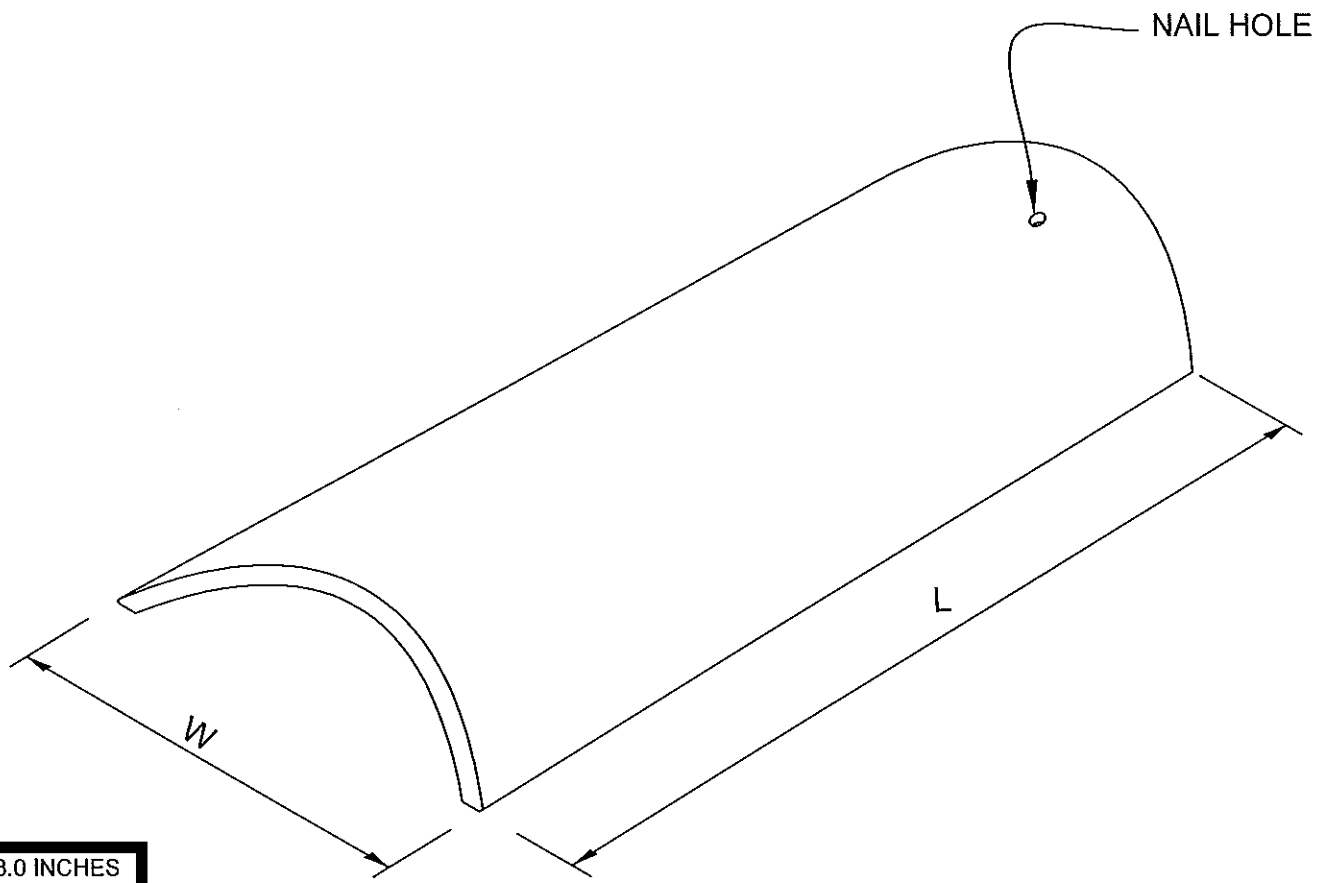


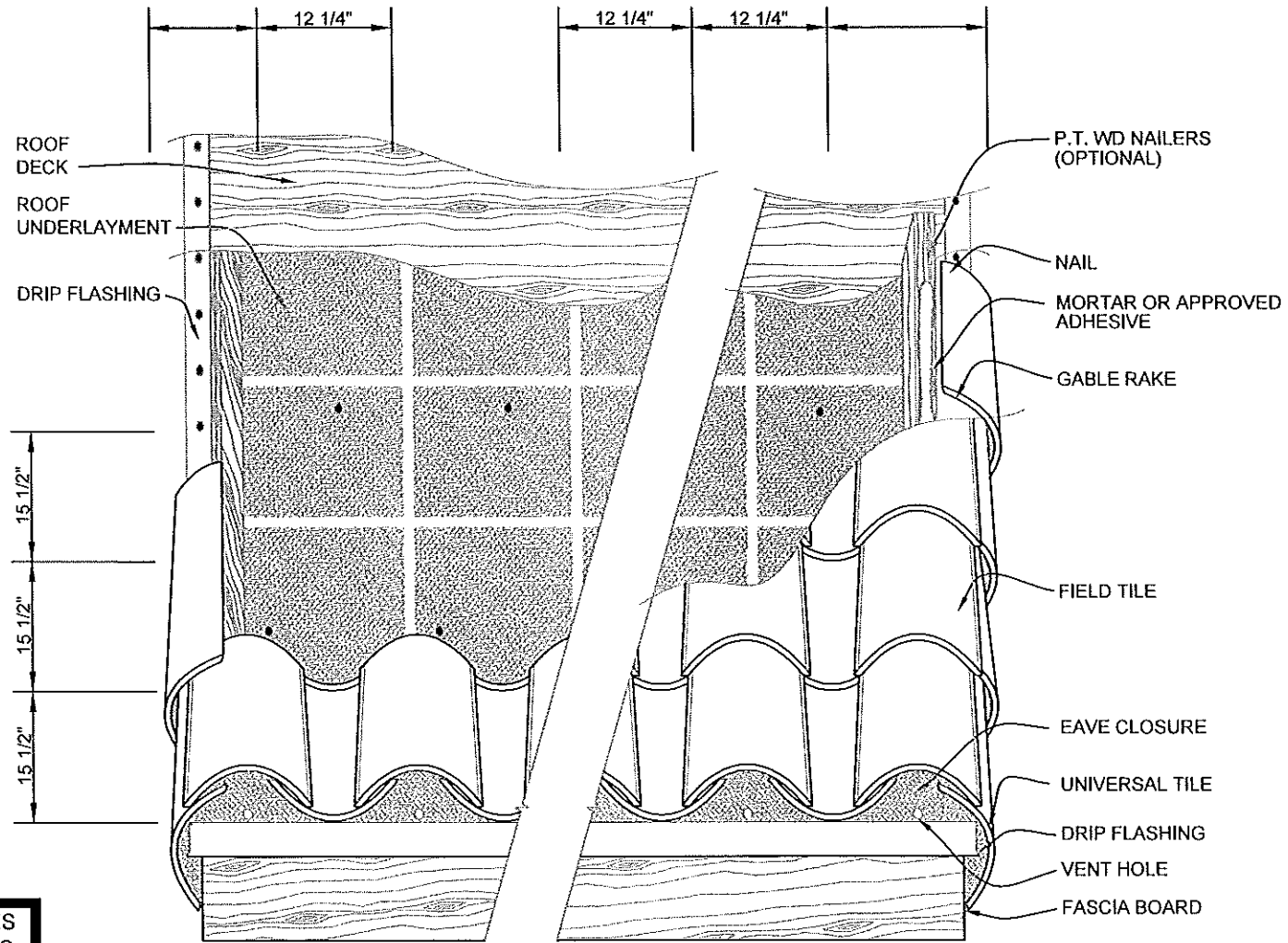
ALTUSA BARREL



NOMINAL SIZE	L = 18.0 INCHES W = 8.5 INCHES
NOMINAL HEADLAP	2.5 INCHES
WEIGHT PER 100 SQ. FT.	711 LBS
TILES PER 100 SQ. FT.	158 PIECES
STANDARD	ASTM C1167

FIELD TILE

ALTUSA BARREL

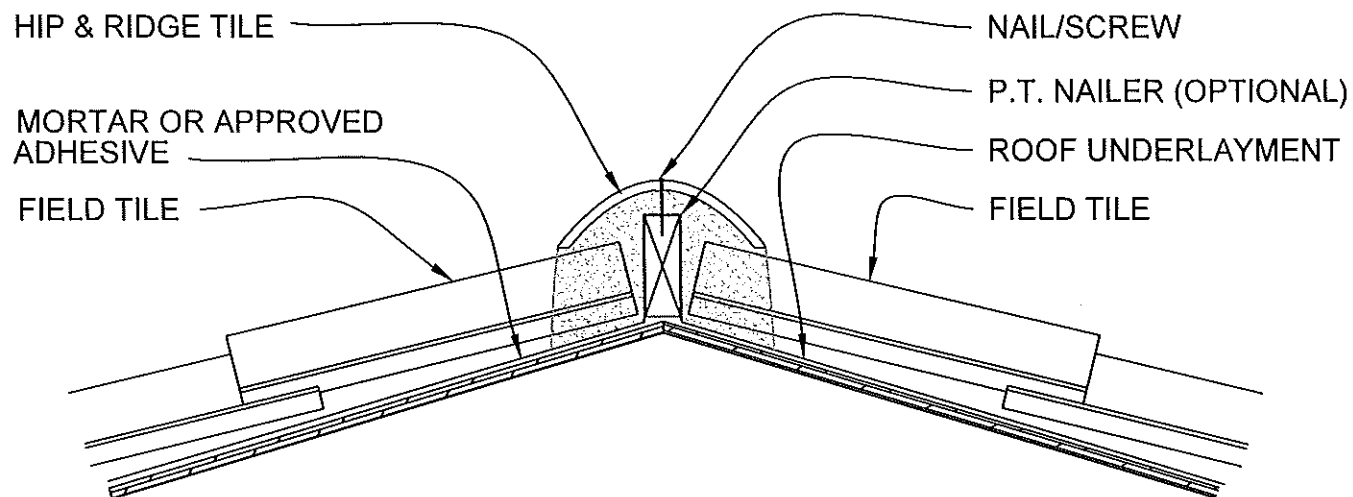


NOMINAL SIZE	L = 18.0 INCHES W= 8.5 INCHES
NOMINAL HEADLAP	2.5 INCHES
WEIGHT PER 100 SQ. FT.	711 LBS
TILES PER 100 SQ. FT.	158 PIECES
STANDARD	ASTM C1167

ROOF TILES LAYOUT

NOTE: DUE TO THE NATURE OF CLAY, COLOR AND SIZE VARIATIONS MAY VARY FROM TECHNICAL DATA. TILE MEASUREMENTS SHOULD BE CHECKED AT TIME OF INSTALLATION AND ADJUST GUIDELINES TO ASSURE A BETTER TILE INSTALLATION.

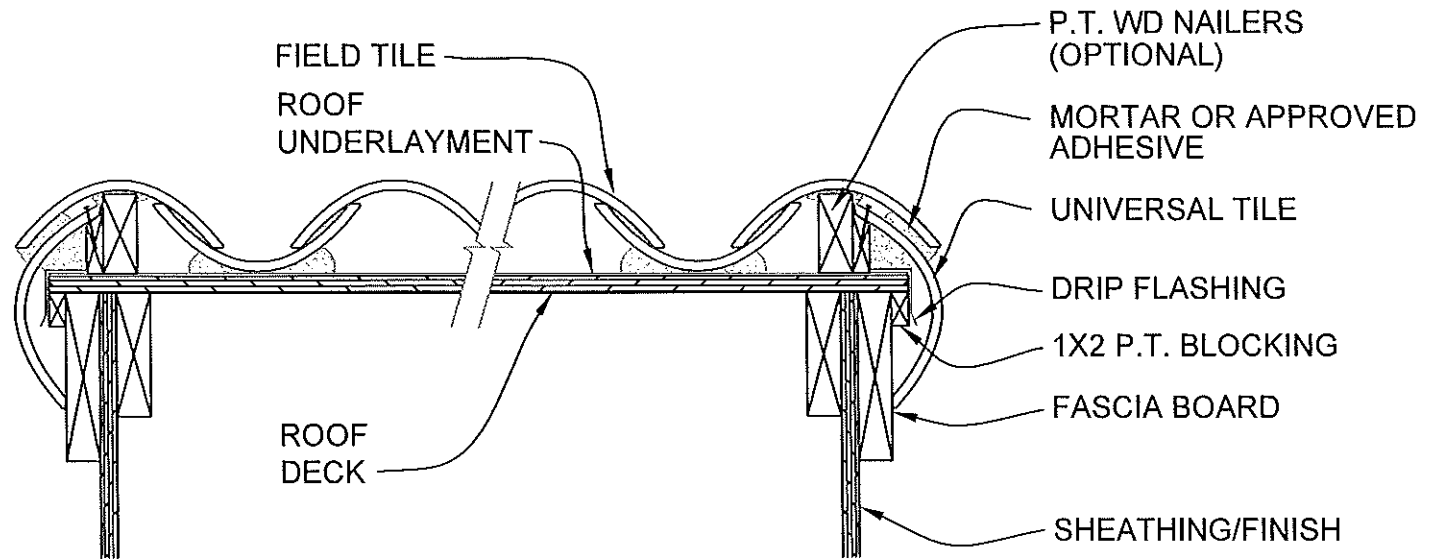
ALTUSA BARREL



HIP & RIDGE SECTION

NOMINAL SIZE	L = 18.0 INCHES W = 8.5 INCHES
NOMINAL HEADLAP	2.5 INCHES
WEIGHT PER 100 SQ. FT.	711 LBS
TILES PER 100 SQ. FT.	158 PIECES
STANDARD	ASTM C1167

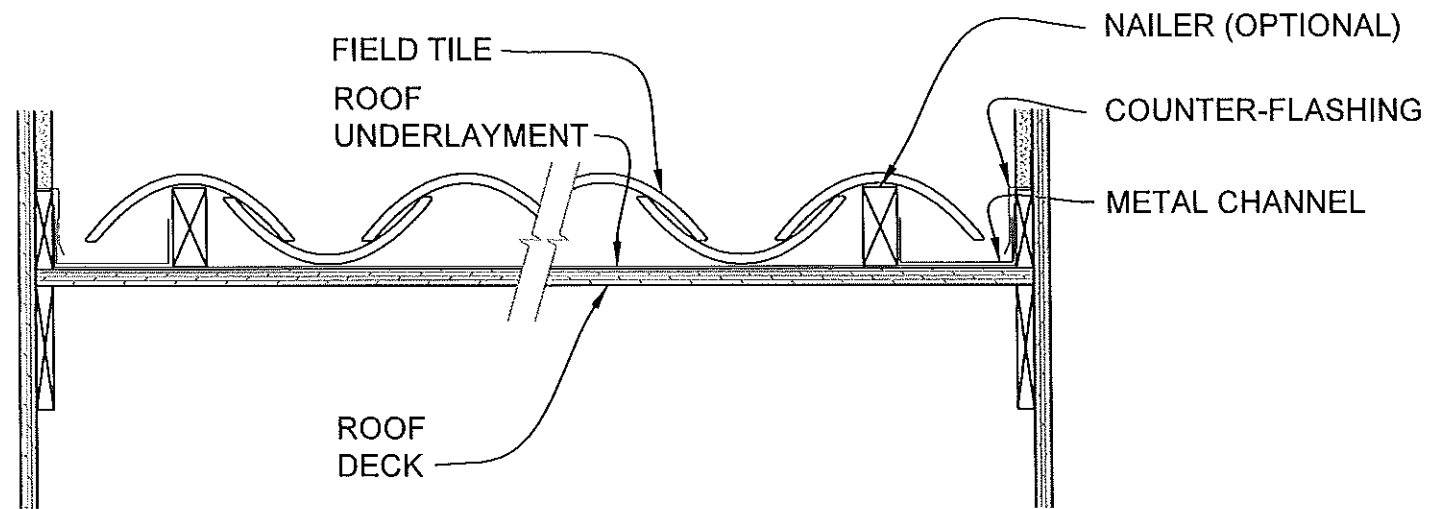
ALTUSA BARREL



GABLE TO GABLE SECTION

NOMINAL SIZE	L = 18.0 INCHES W= 8.5 INCHES
NOMINAL HEADLAP	2.5 INCHES
WEIGHT PER 100 SQ. FT.	711 LBS
TILES PER 100 SQ. FT.	158 PIECES
STANDARD	ASTM C1167

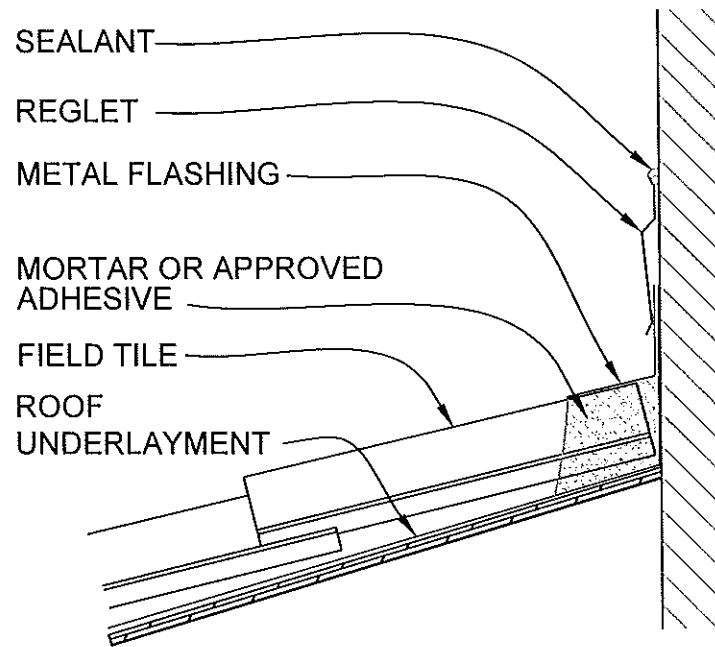
ALTUSA BARREL



SIDEWALL FLASHING

NOMINAL SIZE	L = 18.0 INCHES W = 8.5 INCHES
NOMINAL HEADLAP	2.5 INCHES
WEIGHT PER 100 SQ. FT.	711 LBS
TILES PER 100 SQ. FT.	158 PIECES
STANDARD	ASTM C1167

ALTUSA BARREL



ENDWALL FLASHING

NOMINAL SIZE	L = 18.0 INCHES W = 8.5 INCHES
NOMINAL HEADLAP	2.5 INCHES
WEIGHT PER 100 SQ. FT.	711 LBS
TILES PER 100 SQ. FT.	158 PIECES
STANDARD	ASTM C1167