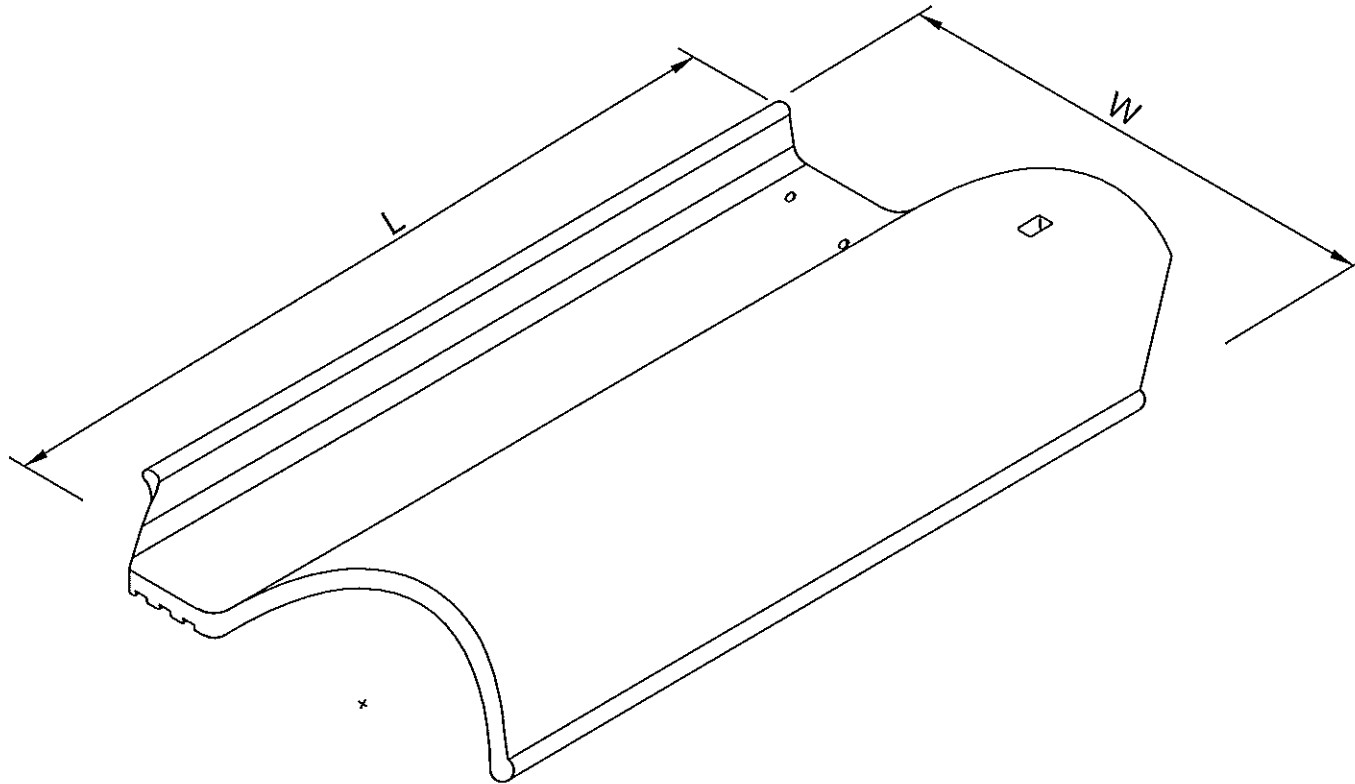


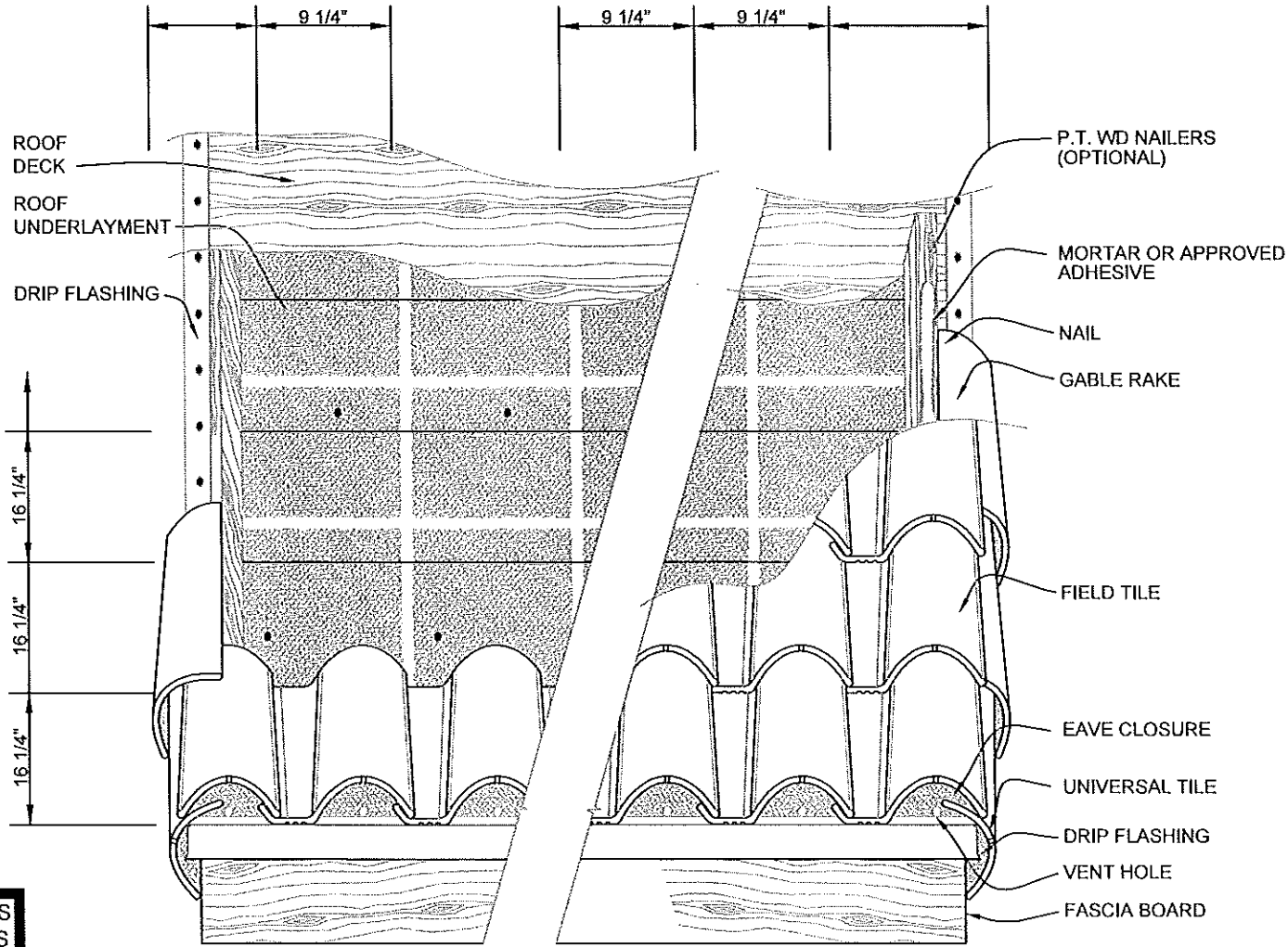
ALTUSA 'S'



NOMINAL SIZE	L = 18.75 INCHES W=10.75 INCHES
NOMINAL HEADLAP	2.5 INCHES
WEIGHT PER 100 SQ. FT.	630.5 LBS
TILES PER 100 SQ. FT.	97 PIECES
STANDARD	ASTM C1167

FIELD TILE

ALTUSA 'S'

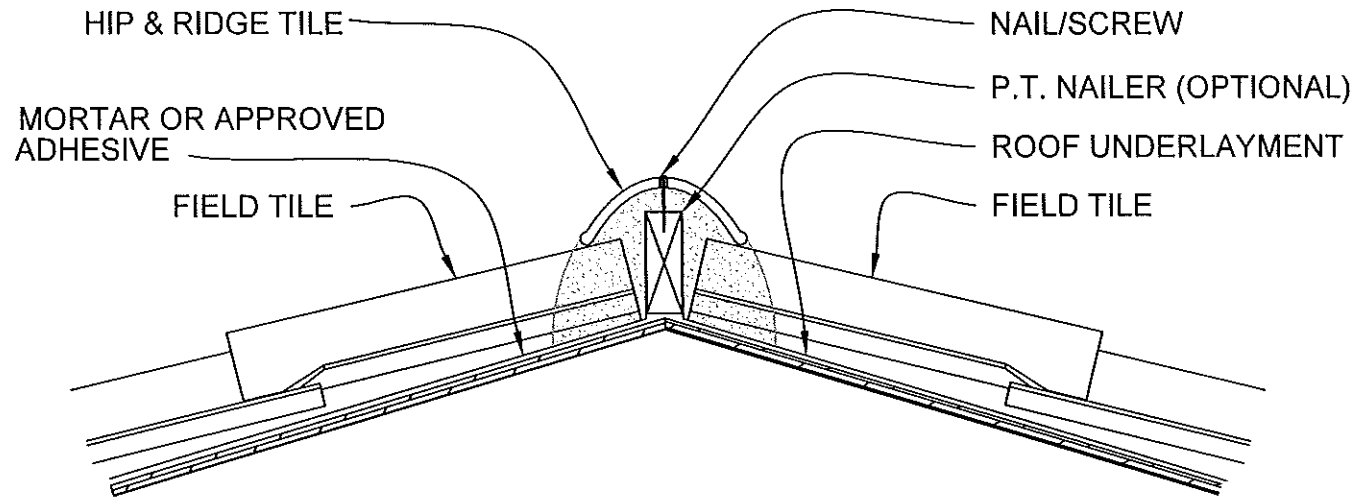


NOMINAL SIZE	L = 18.75 INCHES W=10.75 INCHES
NOMINAL HEADLAP	2.5 INCHES
WEIGHT PER 100 SQ. FT.	630.5 LBS
TILES PER 100 SQ. FT.	97 PIECES
STANDARD	ASTM C1167

ROOF TILE LAYOUT

NOTE: DUE TO THE NATURE OF CLAY, COLOR AND SIZE VARIATIONS MAY VARY FROM TECHNICAL DATA. TILE MEASUREMENTS SHOULD BE CHECKED AT TIME OF INSTALLATION AND ADJUST GUIDELINES TO ASSURE A BETTER TILE INSTALLATION.

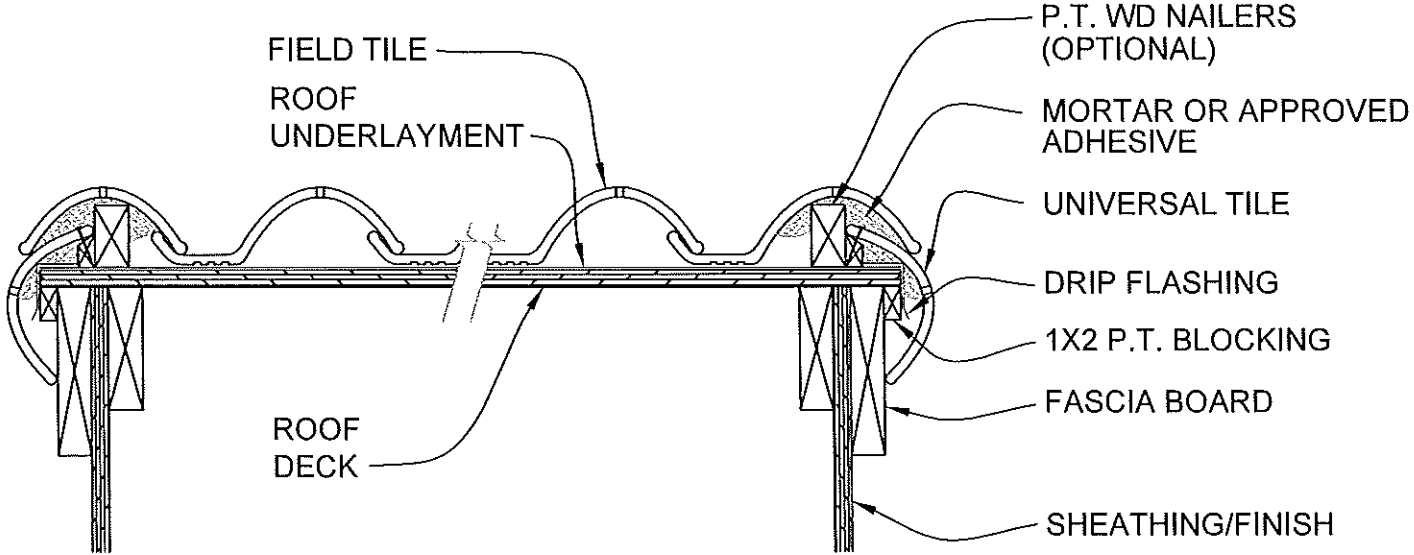
ALTUSA 'S'



HIP & RIDGE SECTION

NOMINAL SIZE	L = 18.75 INCHES W=10.75 INCHES
NOMINAL HEADLAP	2.5 INCHES
WEIGHT PER 100 SQ. FT.	630.5 LBS
TILES PER 100 SQ. FT.	97 PIECES
STANDARD	ASTM C1167

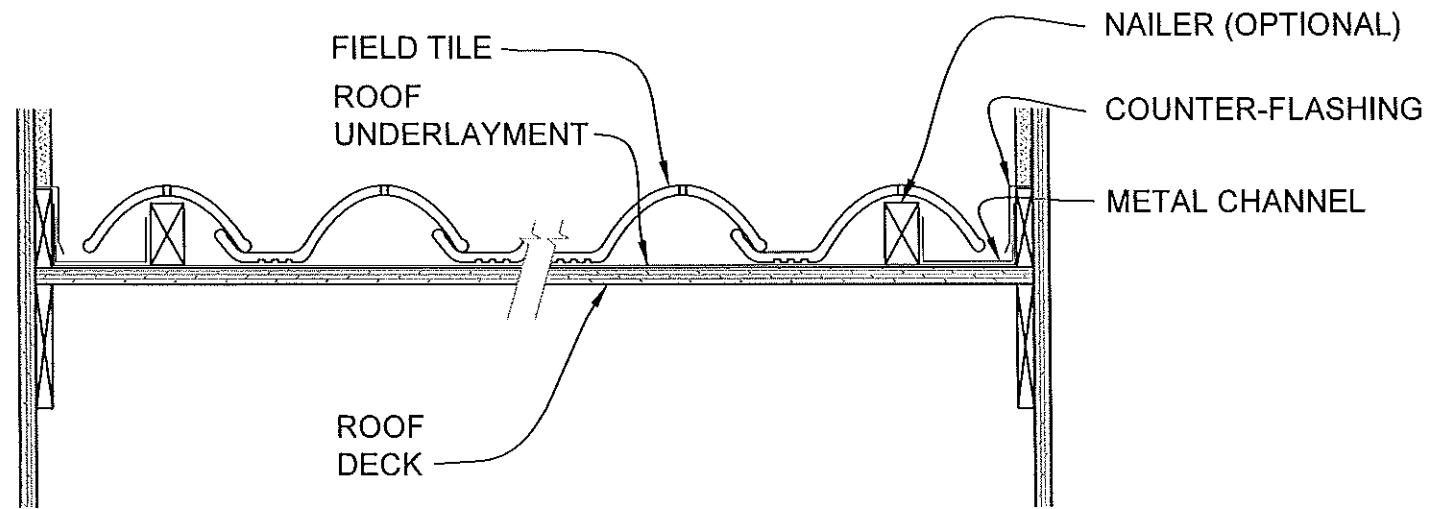
ALTUSA 'S'



GABLE TO GABLE SECTION

NOMINAL SIZE	L = 18.75 INCHES W=10.75 INCHES
NOMINAL HEADLAP	2.5 INCHES
WEIGHT PER 100 SQ. FT.	630.5 LBS
TILES PER 100 SQ. FT.	97 PIECES
STANDARD	ASTM C1167

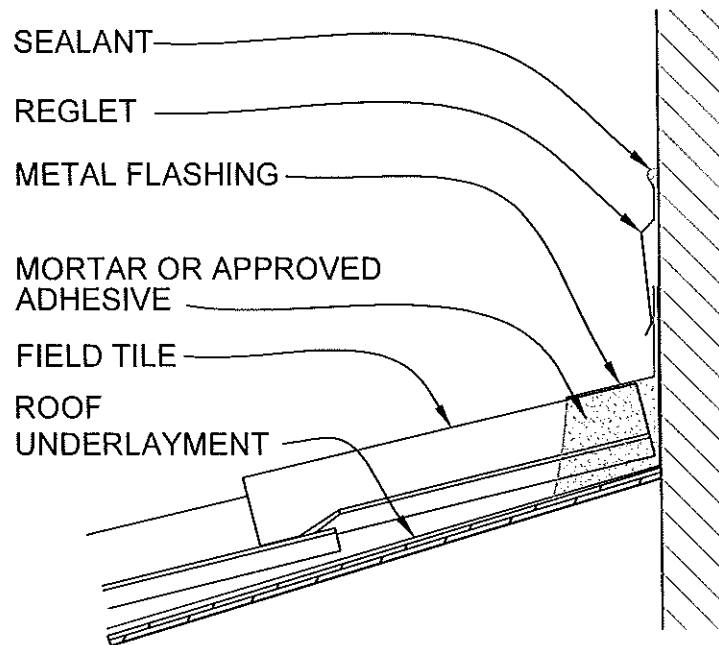
ALTUSA 'S'



SIDEWALL FLASHING

NOMINAL SIZE	L = 18.75 INCHES W=10.75 INCHES
NOMINAL HEADLAP	2.5 INCHES
WEIGHT PER 100 SQ. FT.	630.5 LBS
TILES PER 100 SQ. FT.	97 PIECES
STANDARD	ASTM C1167

ALTUSA 'S'



ENDWALL FLASHING

NOMINAL SIZE	L = 18.75 INCHES W=10.75 INCHES
NOMINAL HEADLAP	2.5 INCHES
WEIGHT PER 100 SQ. FT.	630.5 LBS
TILES PER 100 SQ. FT.	97 PIECES
STANDARD	ASTM C1167