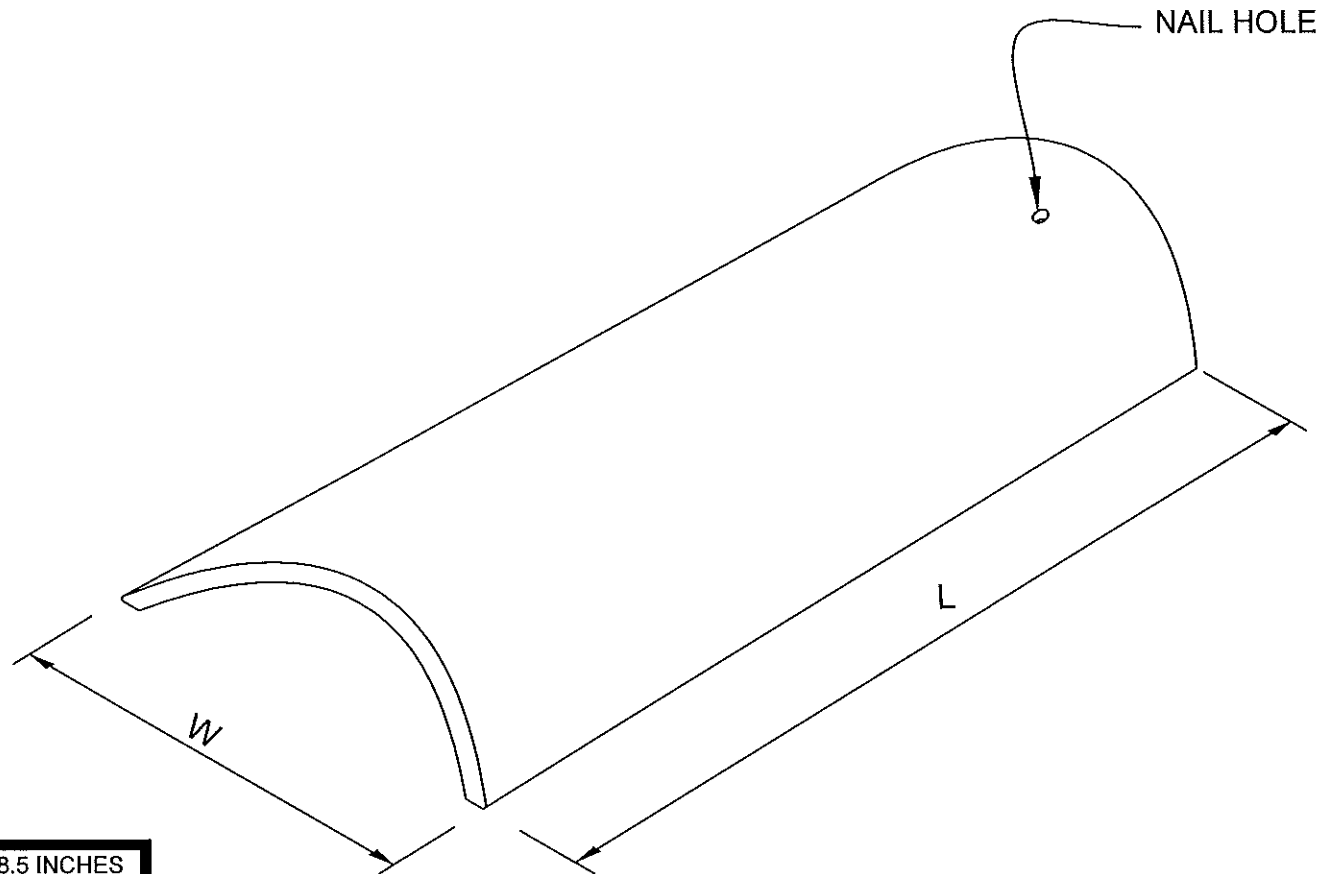


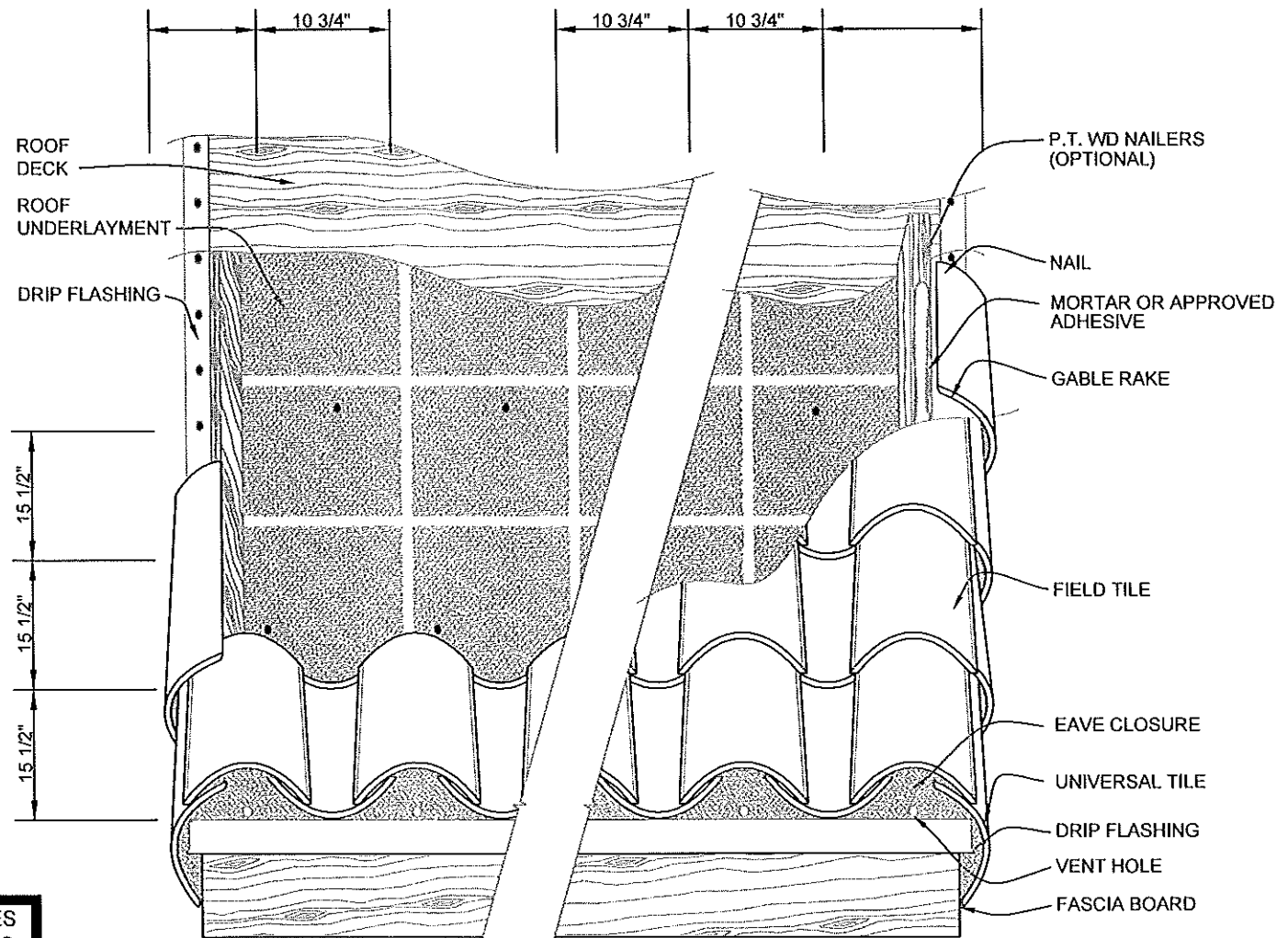
ANDALUSA CLAY BARREL



NOMINAL SIZE	L = 18.5 INCHES W = 7.1 INCHES
NOMINAL HEADLAP	2.5 INCHES
WEIGHT PER 100 SQ. FT.	731 LBS
TILES PER 100 SQ. FT.	170 PIECES
STANDARD	ASTM C1167

FIELD TILE

ANDALUSA CLAY BARREL

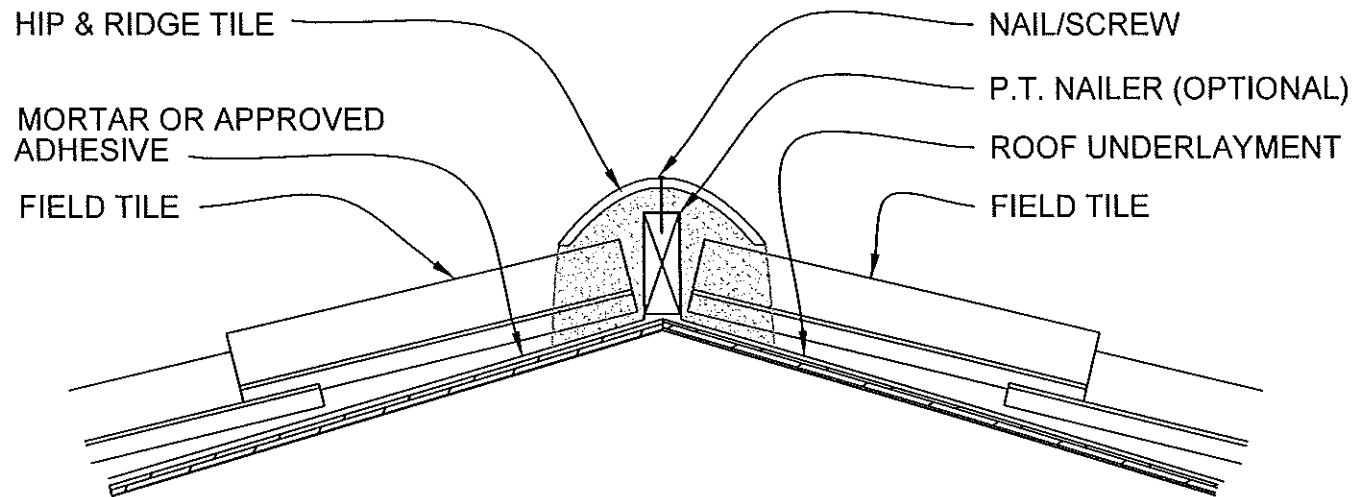


NOMINAL SIZE	L = 18.5 INCHES W= 7.1 INCHES
NOMINAL HEADLAP	2.5 INCHES
WEIGHT PER 100 SQ. FT.	731 LBS
TILES PER 100 SQ. FT.	170 PIECES
STANDARD	ASTM C1167

ROOF TILES LAYOUT

NOTE: DUE TO THE NATURE OF CLAY, COLOR AND SIZE VARIATIONS MAY VARY FROM TECHNICAL DATA. TILE MEASUREMENTS SHOULD BE CHECKED AT TIME OF INSTALLATION AND ADJUST GUIDELINES TO ASSURE A BETTER TILE INSTALLATION.

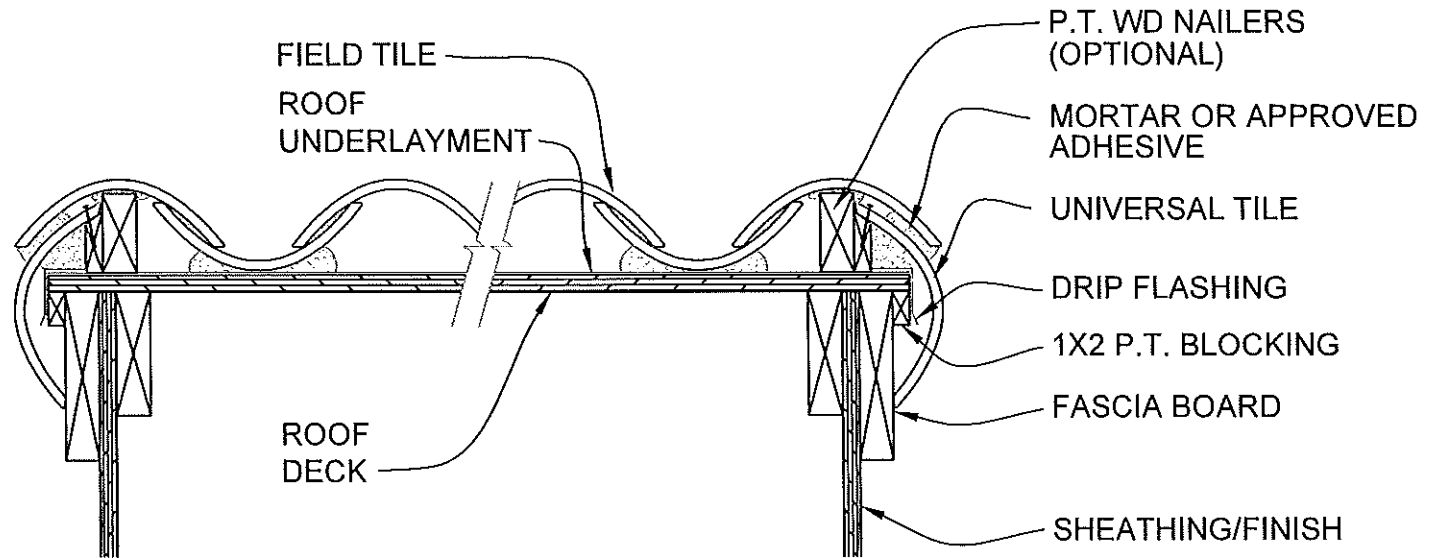
ANDALUSA CLAY BARREL



HIP & RIDGE SECTION

NOMINAL SIZE	L = 18.5 INCHES W= 7.1 INCHES
NOMINAL HEADLAP	2.5 INCHES
WEIGHT PER 100 SQ. FT.	731 LBS
TILES PER 100 SQ. FT.	170 PIECES
STANDARD	ASTM C1167

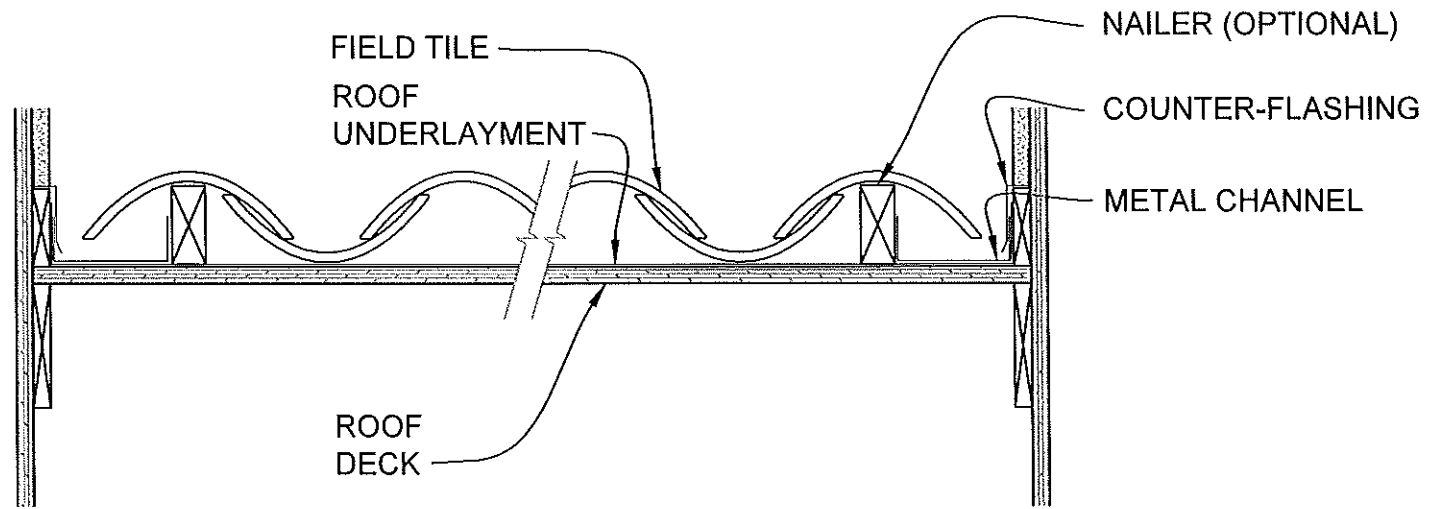
ANDALUSA CLAY BARREL



GABLE TO GABLE SECTION

NOMINAL SIZE	L = 18.5 INCHES W= 7.1 INCHES
NOMINAL HEADLAP	2.5 INCHES
WEIGHT PER 100 SQ. FT.	731 LBS
TILES PER 100 SQ. FT.	170 PIECES
STANDARD	ASTM C1167

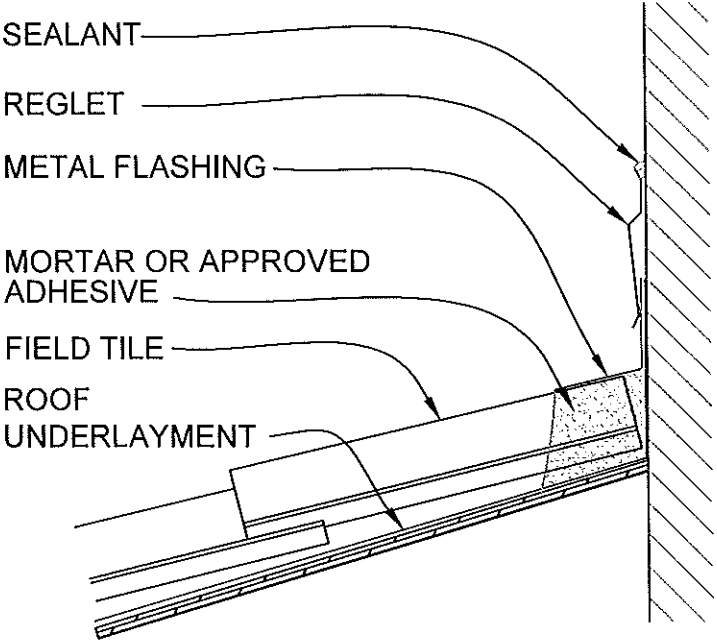
ANDALUSA CLAY BARREL



SIDEWALL FLASHING

NOMINAL SIZE	L = 18.5 INCHES W = 7.1 INCHES
NOMINAL HEADLAP	2.5 INCHES
WEIGHT PER 100 SQ. FT.	731 LBS
TILES PER 100 SQ. FT.	170 PIECES
STANDARD	ASTM C1167

ANDALUSA CLAY BARREL



ENDWALL FLASHING

NOMINAL SIZE	L = 18.5 INCHES W= 7.1 INCHES
NOMINAL HEADLAP	2.5 INCHES
WEIGHT PER 100 SQ. FT.	731 LBS
TILES PER 100 SQ. FT.	170 PIECES
STANDARD	ASTM C1167