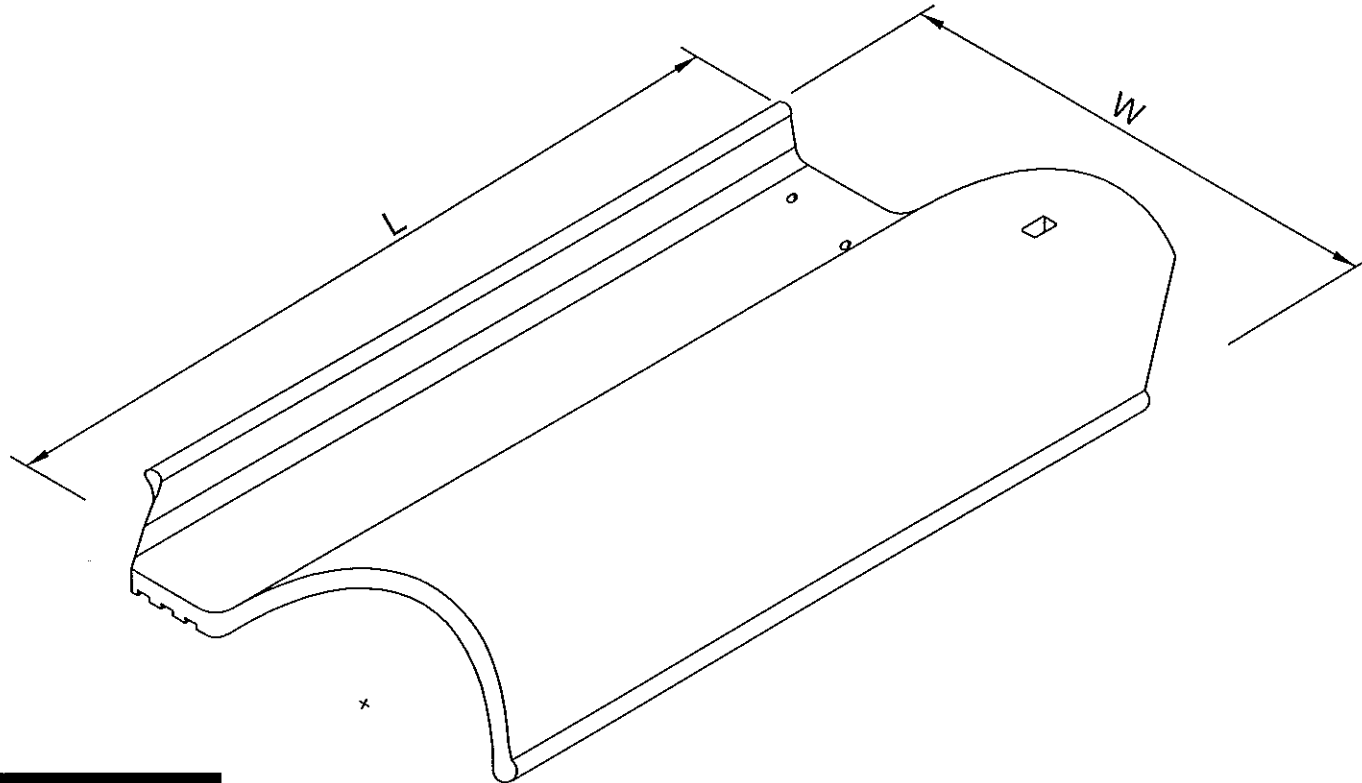


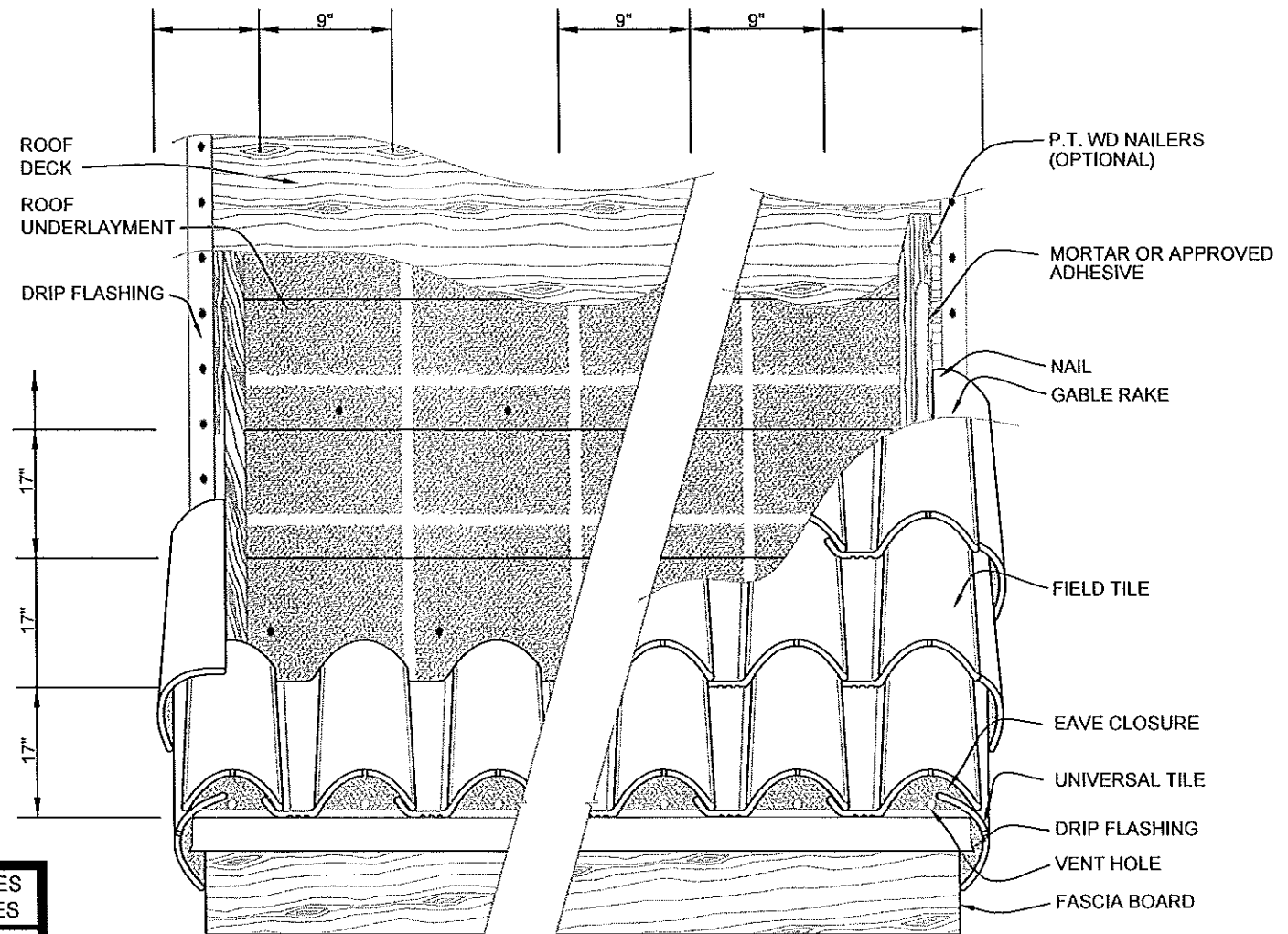
VOLCAN BY ALTUSA SPANISH 'S'



NOMINAL SIZE	L = 19.5 INCHES W=10.5 INCHES
NOMINAL HEADLAP	2.5 INCHES
WEIGHT PER 100 SQ. FT.	579.5 LBS
TILES PER 100 SQ. FT.	92 PIECES
STANDARD	ASTM C1167

FIELD TILE

VOLCAN BY ALTUSA SPANISH 'S'

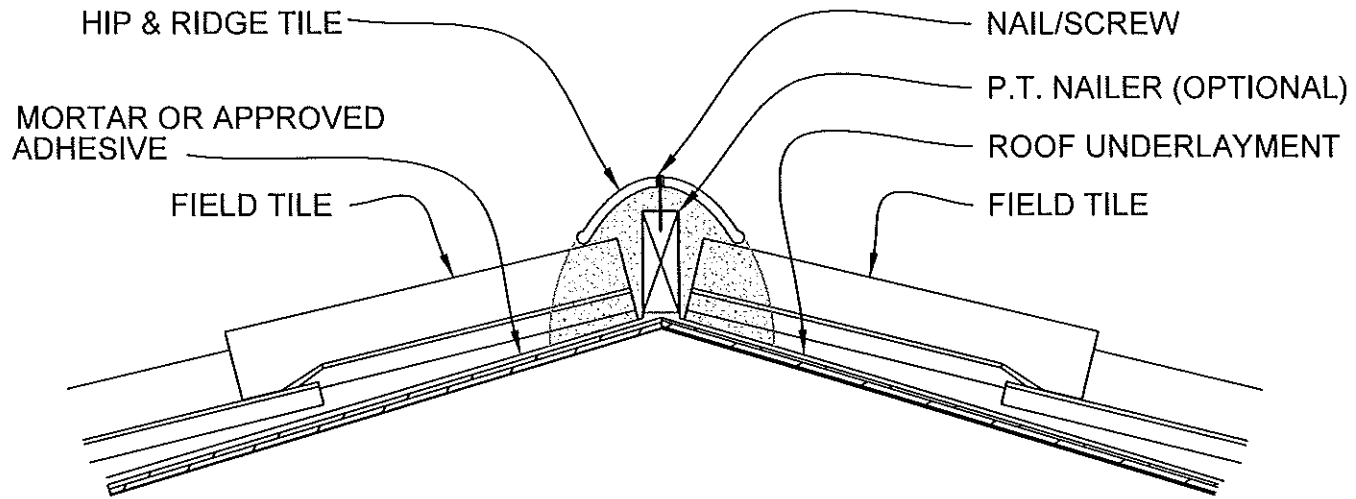


ROOF TILE LAYOUT

NOMINAL SIZE	L = 19.5 INCHES W=10.5 INCHES
NOMINAL HEADLAP	2.5 INCHES
WEIGHT PER 100 SQ. FT.	579.5 LBS
TILES PER 100 SQ. FT.	92 PIECES
STANDARD	ASTM C1167

NOTE: DUE TO THE NATURE OF CLAY, COLOR AND SIZE VARIATIONS MAY VARY FROM TECHNICAL DATA. TILE MEASUREMENTS SHOULD BE CHECKED AT TIME OF INSTALLATION AND ADJUST GUIDELINES TO ASSURE A BETTER TILE INSTALLATION.

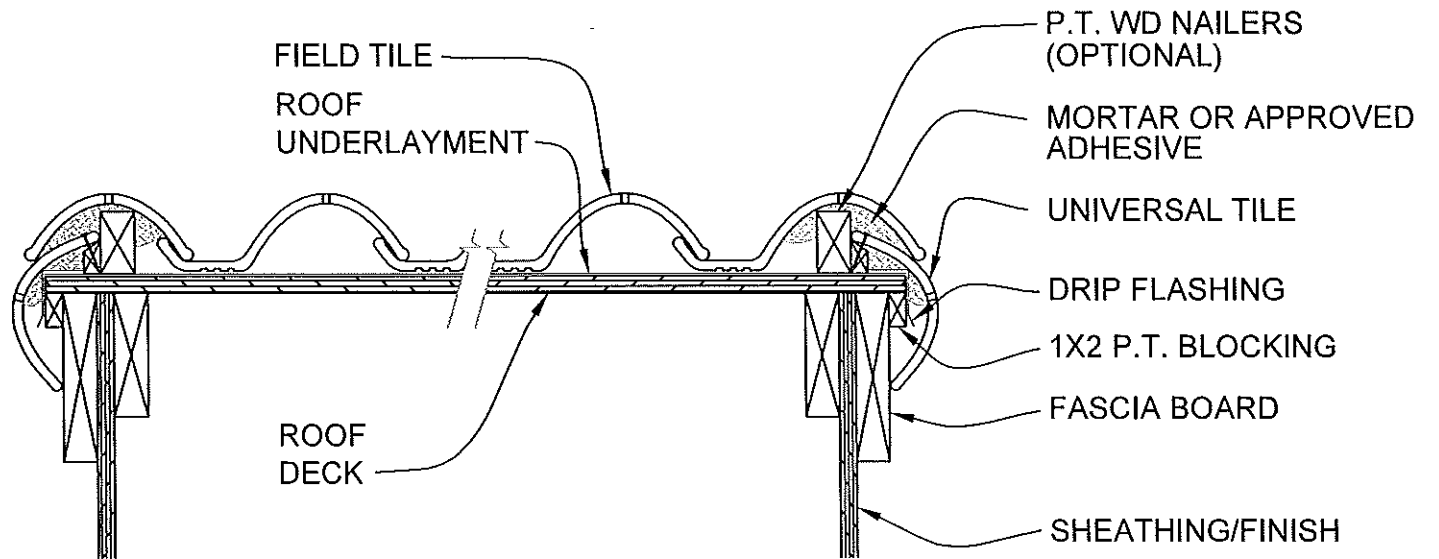
VOLCAN BY ALTUSA SPANISH 'S'



HIP & RIDGE SECTION

NOMINAL SIZE	L = 19.5 INCHES W=10.5 INCHES
NOMINAL HEADLAP	2.5 INCHES
WEIGHT PER 100 SQ. FT.	579.5 LBS
TILES PER 100 SQ. FT.	92 PIECES
STANDARD	ASTM C1167

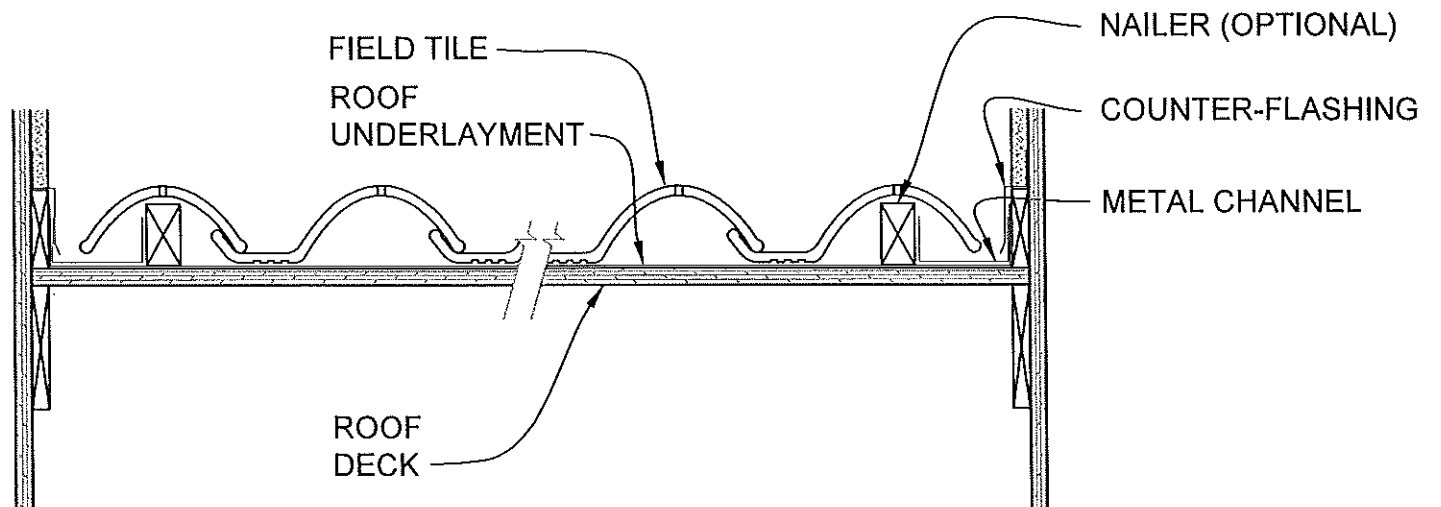
VOLCAN BY ALTUSA SPANISH 'S'



GABLE TO GABLE SECTION

NOMINAL SIZE	L = 19.5 INCHES W=10.5 INCHES
NOMINAL HEADLAP	2.5 INCHES
WEIGHT PER 100 SQ. FT.	579.5 LBS
TILES PER 100 SQ. FT.	92 PIECES
STANDARD	ASTM C1167

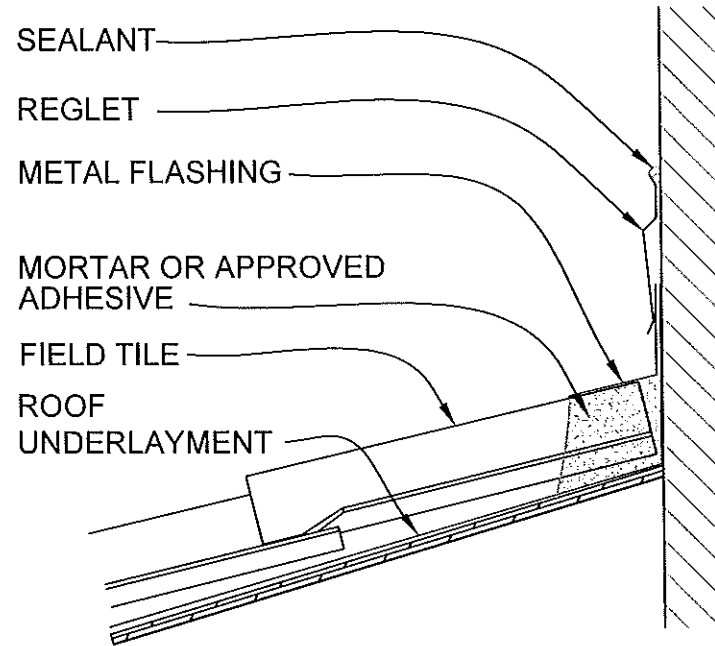
VOLCAN BY ALTUSA SPANISH 'S'



SIDEWALL FLASHING

NOMINAL SIZE	L = 19.5 INCHES W=10.5 INCHES
NOMINAL HEADLAP	2.5 INCHES
WEIGHT PER 100 SQ. FT.	579.5 LBS
TILES PER 100 SQ. FT.	92 PIECES
STANDARD	ASTM C1167

VOLCAN BY ALTUSA SPANISH 'S'



ENDWALL FLASHING

NOMINAL SIZE	L = 19.5 INCHES W=10.5 INCHES
NOMINAL HEADLAP	2.5 INCHES
WEIGHT PER 100 SQ. FT.	579.5 LBS
TILES PER 100 SQ. FT.	92 PIECES
STANDARD	ASTM C1167